



# Manhole Products

60" Type 2 Precast Catch Basin  
WSDOT B-10.20-03

### Square Risers Available

- 2", 3", 4", 6", 12", 24" Solid or w/ Knockouts

### Grade Adjustment Rings Available

- 2", 3", 4", 6"

### Hole or Knock Out Dimensions

- Maximum hole size is 48 inches
- 8 inches of minimum distance between holes
- 2 inch diameter lifting holes provided
- Cored, cast-in and custom block-out/knock-outs available

### Conformity Standards

- ASTM C478 manhole
- ASTM C443 rubber gasket joint
- ASTM D4101 polypropylene steps and ladders
- Washington State APWA / WSDOT Standard

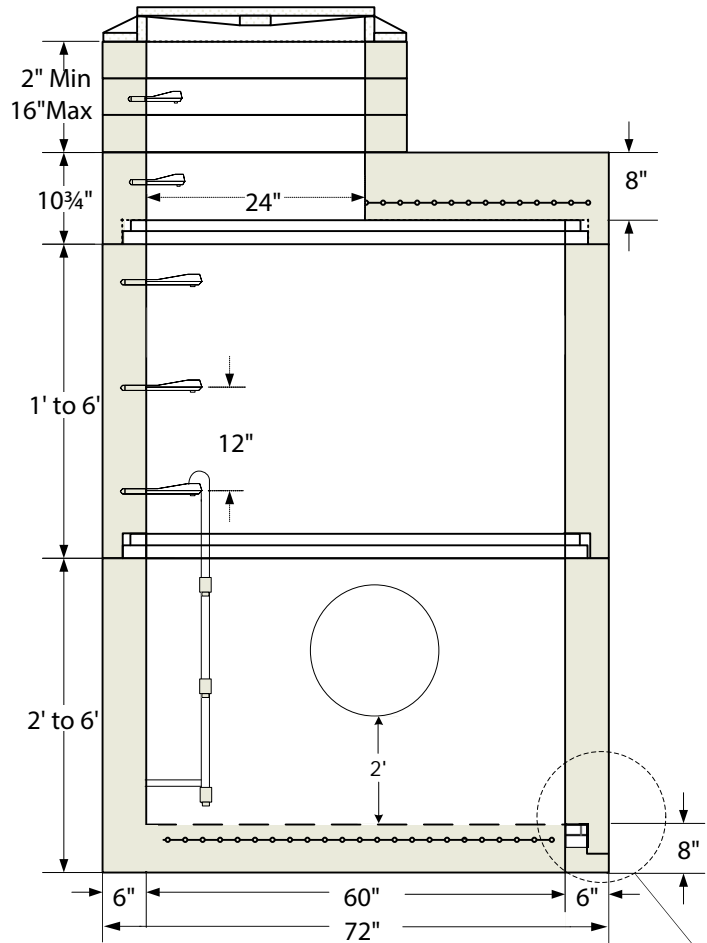
### Options Available

- 2 foot minimum sump
- Specialized coatings
- Custom hatches
- Kor-N-Seal boots
- 1' thru 10' Polypropylene ladders
- Round offset & Center hole flat tops
- Mastic

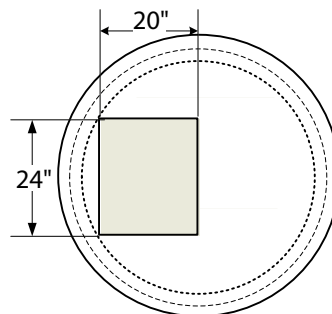
### Section Specifications

Height	Section	Base
12"	1,240 LBS	3,312 LBS
24"	2,507 LBS	4,579 LBS
36"	3,773 LBS	5,845 LBS
48"	5,040 LBS	7,112 LBS
60"	6,306 LBS	8,378 LBS
72"	7,573 LBS	9,645 LBS

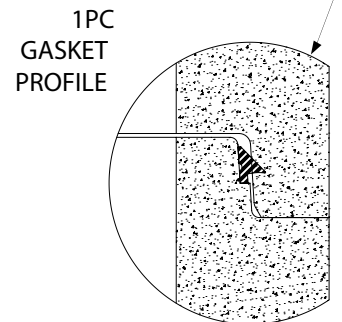
2,622 LBS Base Slab      2,663 LBS Flat Top



Top Slab Plan View



Gasket Shown Uncompressed



Note: Drawings not to scale

www.shopeconcrete.com

1-800-422-7560 [TOLL FREE]



Shope Concrete, LLC  
1618 East Main Avenue  
Puyallup, WA 98372-3142

(253) 848-1551  
Fax Line 1 (253) 845-0292  
Fax Line 2 (253) 864-6172

